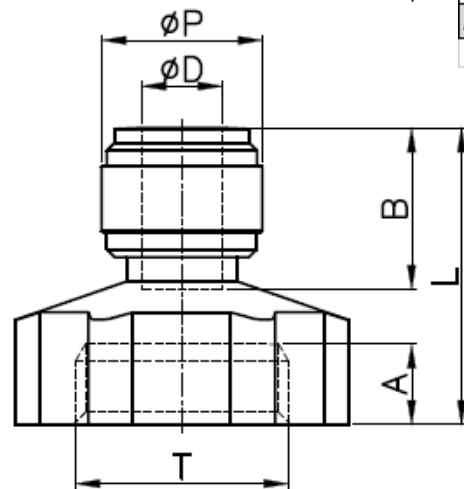
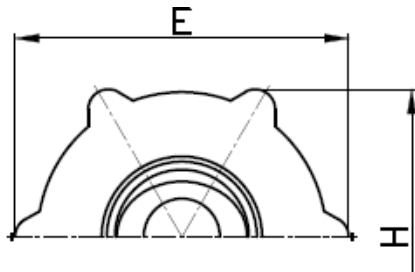


# Female Adapter (NH)

Pressure Ratings			
	< 5/16"	3/8"	1/2"
33 °F	290 psi	232 psi	203 psi
68 °F	290 psi	232 psi	203 psi
150 °F	232 psi	203 psi	116 psi

Torque Allowance					
Thread Size	1/8"	1/4"	3/8"	1/2"	3/4"
Max Torque	1.1 ft lbs	1.1 ft lbs	2.2 ft lbs	2.2 ft lbs	2.9 ft lbs



Model	ØD	ØP	T(NH)	L	A	B	H(Hex)	ØE	WEIGHT(g)
AFA4-NH6	1/4	0.610	3/4	1.346	0.276	0.665	1.445	1.638	34.6
AFA5-NH6	5/16	0.787	3/4	1.441	0.276	0.689	1.445	1.638	36.5
AFA6-NH6	3/8	0.787	3/4	1.457	0.276	0.795	1.445	1.638	37.8