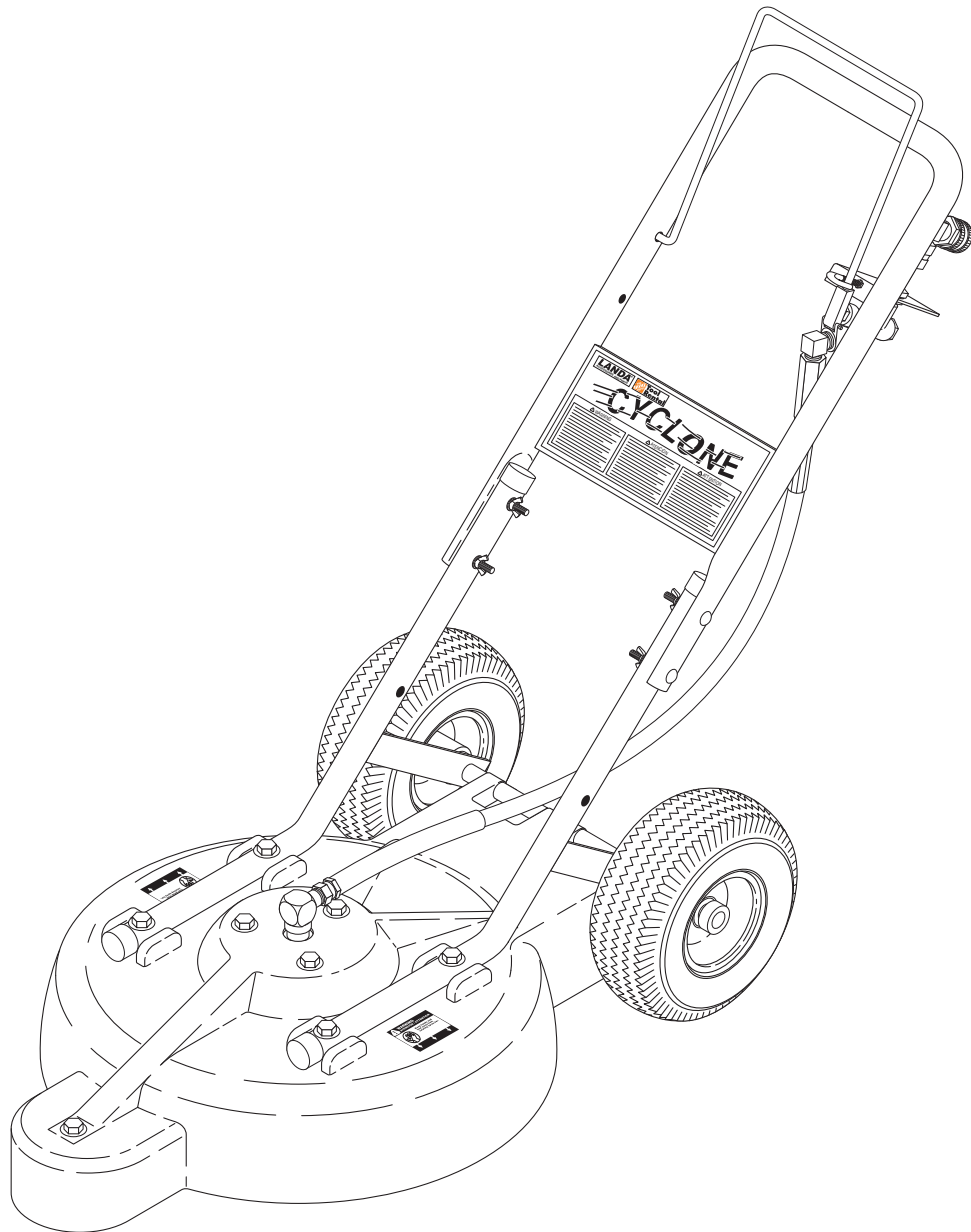


LANDA®

CYCLONE SYSTEM

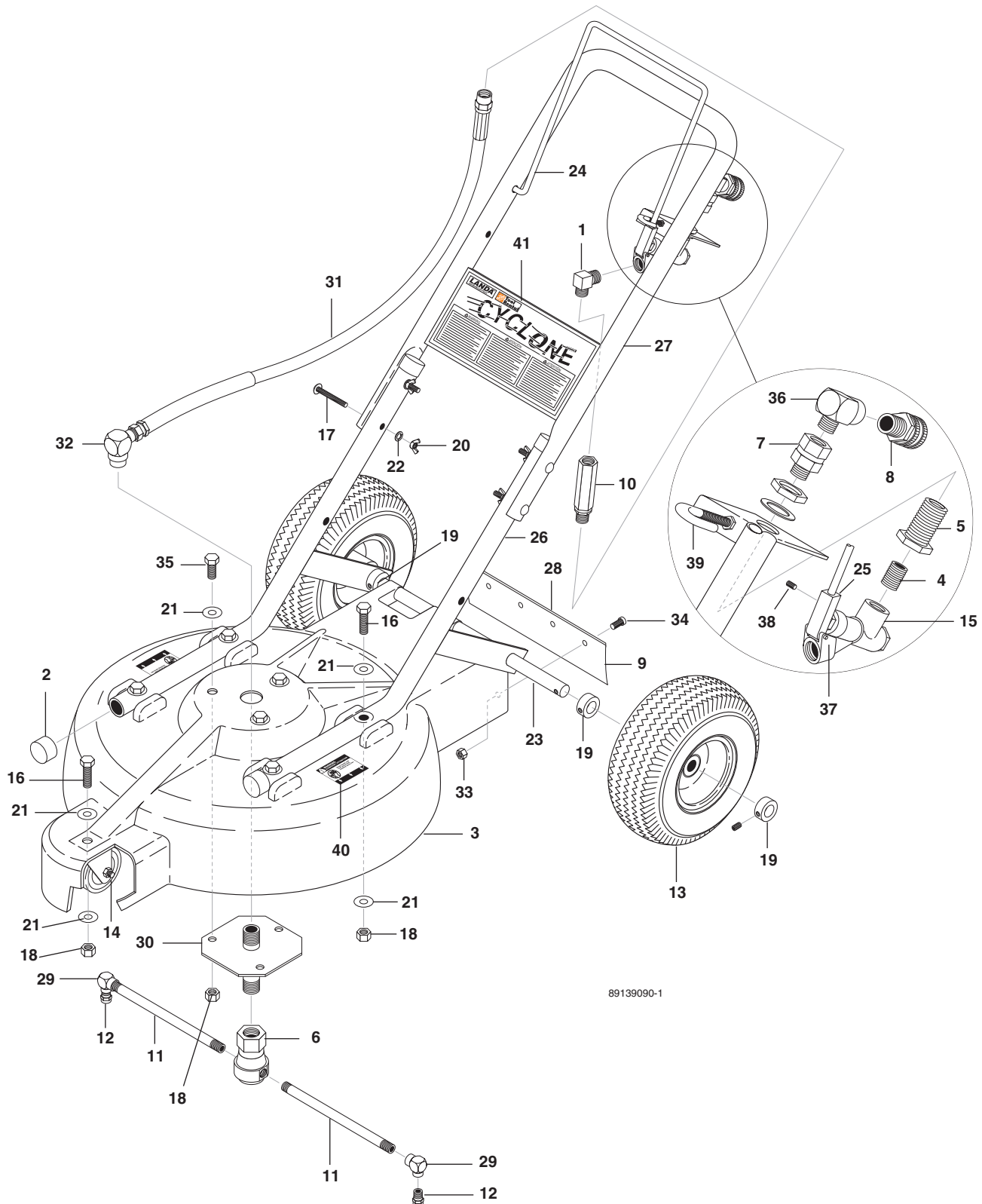
OPERATOR'S MANUAL



For Home Depot Rental Support consult our web page at
www.hdtr.landa.com or call 800-821-6490

8.913-909.0

EXPLODED VIEW



89139090-1

EXPLODED VIEW PARTS LIST

ITEM	PART NO.	DESCRIPTION	QTY	ITEM	PART NO.	DESCRIPTION	QTY
1	8.706-163.0	Elbow, 1/4", Male Pipe	1	23	8.912-849.0	Axle, 5/8" x 18.5", Stainless	1
2	8.706-560.0	Cap, Black Vinyl	4	24	8.719-965.0	Handle, Trigger Bar	1
3	8.706-578.0	Base, Polyethylene, Black	1	25	8.719-966.0	Adapter, Valve, Trigger Bar	1
4	8.705-969.0	Nipple, 1/4" Close Sch 80 Steel	1	26	8.912-851.0	Handle, Lower Assy	2
5	8.706-999.0	Connector, 1/4" Anchor	1	27	8.912-852.0	Handle, Upper Assy	1
6	8.707-006.0	Swivel, Rotary Union URF400	1	28	8.912-853.0	Plate, Backup, Splash Guard	1
7	8.707-012.0	Swivel, 1/4" High Pressure	1	29	8.706-176.0	Elbow, 1/4" x 1/8", 90 Degree	2
8	9.802-169.0	Coupler, 3/8" Male Brass	1	30	8.912-850.0	Nipple, Bulkhead, 1/2" x 4-1/2", 304 SS, SCH. 40	1
9	8.707-387.0	Guard, Splash	1	31	8.711-556.0	Hose, 3/8" x 34" Pressure, 1/2" FJIC x 1/4" FNPT	1
10	8.709-175.0	Filter, High Pressure	1	32	9.802-043.0	Elbow, 1/2" JIC x 1/2" FEM 90 DGR	1
	8.709-176.0	▲ Screen, High Press Filter S/S	1	33	9.802-696.0	Nut, 10/32" NF ST ST KEP	4
11	8.711-289.0	Wand, 8" Rotary	2	34	8.718-653.0	Screw, 10/32" x 1/2" SHCS SS	4
12	8.711-467.0	Nozzle Only, SA, 1/8", MEG-1502	2	35	9.802-721.0	Bolt, 3/8" x 1" HH/NC, 316 SS	3
13	9.802-270.0	Wheel & Tire Assy, 4" w/Tube	2	36	8.706-202.0	Elbow, Street, 1/4" x 3/8", Steel	1
14	8.711-908.0	Wheel, Caster 3 Grey	1	37	8.719-069.0	Pin, Roll M2.5 x 24 mm 5395A277	1
15	8.718-244.0	Valve, Acuator, Assy	1	38	8.718-951.0	Screw, 10/32" x 1/4" SS	1
16	9.802-726.0	Bolt, 3/8" x 1-3/4", HH NC Stainless	5	39	8.719-101.0	Hook, 10/24" x 2"	1
17	8.718-727.0	Screw, 1/4" x 2" Carriage, ZN	4		8.718-857.0	▲ Nut, 10/24" HEX, Whiz Loc M/S Zinc	2
18	9.802-780.0	Nut, 3/8" Stainless, ESNA NC	8	40	8.900-222.0	Label, Warning	2
19	9.802-782.0	Collar, 5/8" Bore Shaft 3010	6		8.900-313.0	▲ Label, Made in USA	1
20	8.718-880.0	Nut, Wing 1/4"-20 ZN	4	41	8.900-308.0	Label, Cyclone, Landa/Home Depot	1
21	9.802-808.0	Washer, 3/8", SAE, Stainless Steel	13	42	9.800-034.0	▲ Label, Clear Lexan	1
22	8.719-019.0	Washer, Split-Lock 1/4" ZN	4				

▲ Not Shown

EXPLODED VIEW

PROBLEM	POSSIBLE CAUSE	SOLUTION
QUICK COUPLER LEAKS	Worn O-Ring	Replace O-Ring.
PRESSURE WASHER UNLOADER CYCLES	High pressure filter or wrong sized nozzles for attached pressure washer	Remove and clean out filter, nozzle(s). Check nozzle size.
NOZZLE ASSEMBLY SPINNING TOO SLOW OR TOO FAST	Nozzles are angled incorrectly	Readjust nozzles. NOTE: More angle means faster rotation. Angle to about 30°.
NOZZLES SPINNING TOO SLOW	Not enough water volume for attached pressure washer to rotate nozzles	Need a larger gpm pressure washer.
NOT CLEANING SURFACE	Nozzle angle wrong, or pressure washer too small for job	Change nozzle angle or attach to larger pressure washer.
VIBRATION AND ROTATING ARM BREAKAGE	Nozzle angle is not the same for both nozzles.	Set both nozzles at same angle.
	Nozzle arms are not of the same weight for balance	Weigh both nozzle arms and change material for balance

NOZZLE CHART

Correct nozzle size is important for optimum cleaning efficiency. The Cyclone is shipped with two #3, 15° nozzles in rotary swivel. Review correct nozzle size for your pressure washer. See chart below for correct nozzle size. To obtain the correct nozzle size in the rotary swivel, divide the minimum nozzle size for the pressure by two. Round this figure up to the nearest half nozzle size. These are the 1/8" nozzles only (two needed) for the rotary swivel on the Cyclone.

Nozzle Size	Orifice diam.(in.)	1000 PSI	1200 PSI	1500 PSI	2000 PSI	2500 PSI	3000 PSI	3500 PSI	4000 PSI
2	.034	1.0	1.1	1.2	1.4	1.6	1.7	1.9	2.0
2.5	.042	1.3	1.4	1.5	1.8	2.0	2.2	2.3	2.5
3	.043	1.5	1.6	1.8	2.1	2.4	2.6	2.8	3.0
4	.052	2.0	2.2	2.5	2.8	3.1	3.5	3.8	4.0
4.5	.055	2.2	2.4	2.8	3.0	3.6	3.9	4.3	5.0
5	.057	2.5	2.8	3.1	3.6	4.0	4.4	4.7	5.0
5.5	.06	2.8	3	3.4	3.8	4.4	4.8	5.2	5.5
6	.062	3.0	3.2	3.7	4.2	4.8	5.2	5.7	6.0
6.5	.064	3.3	3.6	4.0	4.6	5.2	5.7	6.0	
7	.067	3.5	3.8	4.3	5.0	5.6			
7.5	.07	3.8	4.1	4.6	5.3	6.0			
8	.072	4.0	4.4	5.0	5.6				
8.5	.074	4.3	4.6	5.3	6.0				
9	.076	4.5	5.0	5.5					
9.5	.078	4.8	5.2	5.8					
10	.08	5.0	5.4						
12	.087	6.0							
15	.094								
20	.109								
30	.141								
40	.156								

LANDA[®]

Form #• 8.913-909.0 • Revised 7/10 • Printed in U.S.A.