



The Ultimate in Fall Protection

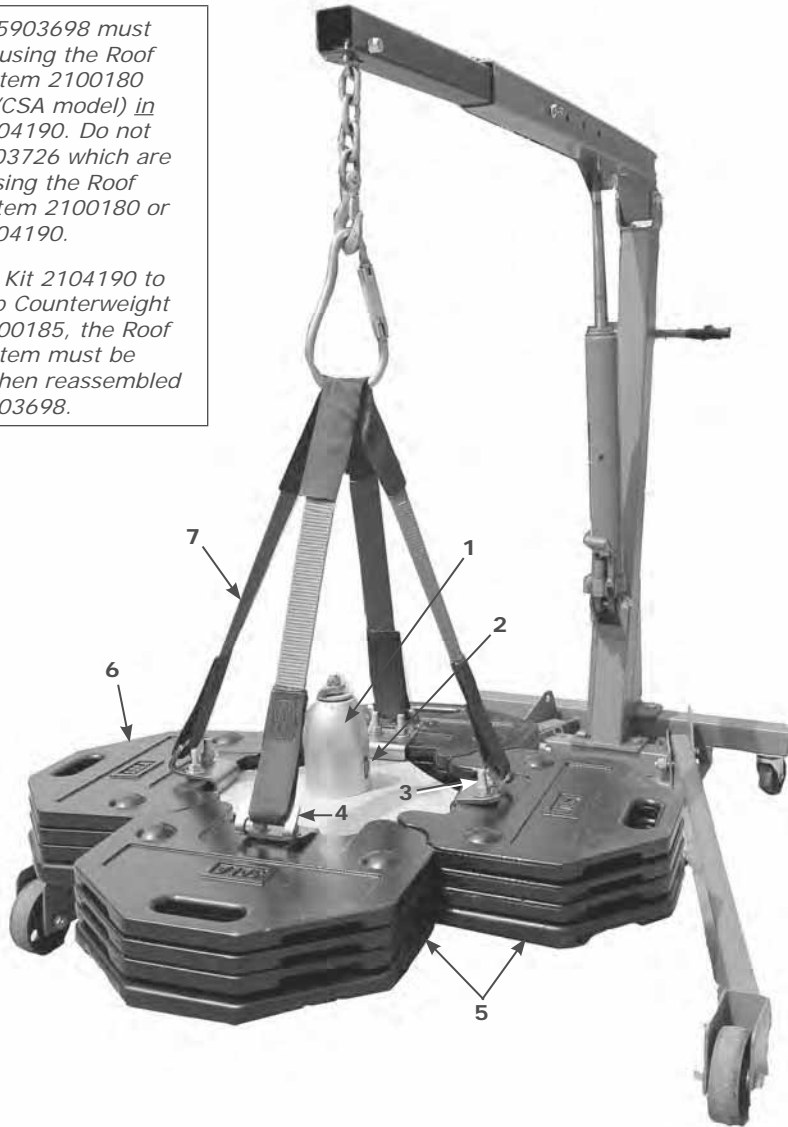
ROOF TOP COUNTERWEIGHT ANCHOR SYSTEM 2100180 OR 2100185 WITH LIFTING KIT 2104190

USER INSTRUCTION MANUAL

Figure 1 - Assembled Roof Top Counterweight Anchor System with Lifting Kit

Important: This instruction 5903698 must be used when assembling and using the Roof Top Counterweight Anchor System 2100180 (CE model) or 2100185 (ANSI/CSA model) in combination with Lifting Kit 2104190. Do not use instruction 5903602 or 5903726 which are intended for assembling and using the Roof Top Counterweight Anchor system 2100180 or 2100185 without Lifting Kit 2104190.

If you intend to add the Lifting Kit 2104190 to an already-assembled Roof Top Counterweight Anchor System 2100180 or 2100185, the Roof Top Counterweight Anchor System must be completely disassembled and then reassembled by following this instruction 5903698.



- 1 - Roof Top Anchor 2 - ID Label 3 - U-Bolts (4) 4 - Lifting Kit Bracket (4) 5 - Black Rubber Coated Base Weights
6 - Counterweights 7 - Lifting Kit Webbing (4)

WARNING: These instructions must be provided to the user of this equipment. The user must read and understand these instructions before using this equipment. Manufacturer's instructions must be followed for proper use and maintenance of this equipment. The user must follow the manufacturer's instructions for each component of the system. Alterations or misuse of this product or failure to follow instructions may result in serious injury or death.

IMPORTANT: If you have questions on the use, care, or suitability of this equipment for your application, contact Capital Safety.

IMPORTANT: Prior to installation and use of this equipment, record the product identification information from the ID label in the Inspection and Maintenance Log at the back of this manual.

1.0 PRODUCT APPLICATION

- 1.1 PURPOSE:** The Roof Top Counterweight Anchor System is designed for use as a personal fall arrest system (PFAS) for a person working on flat roofs or structures. The Lifting Kit is designed to allow transport of a fully assembled Roof Top Counterweight Anchor System between locations on a job site. It is not intended for transport of anchor systems beyond a job site or for movement of any other equipment or material.

WARNING: Unless otherwise noted, Capital Safety equipment is designed for use with Capital Safety approved components and subsystems only. Substitution or replacement with non-approved components or subsystems may jeopardize compatibility of equipment and may affect safety and reliability of the complete system. Do not hang, lift, or support tools or equipment from the Anchorage System, or attach guy lines for antennas, phone lines, etc.

- 1.2 SUPERVISION:** Installation of this equipment must be supervised by a Qualified Person. Use of this equipment must be restricted to a competent Person.
- 1.3 TRAINING:** This equipment must be installed and used by persons trained in its correct application. This manual is to be used as part of an employee training program as required by OSHA. It is the responsibility of the users and installers of this equipment to ensure they are familiar with the instructions, trained in the correct care and use of this equipment, and aware of the operating characteristics, application limitations, and consequences of improper use of this equipment.

IMPORTANT: Training must be conducted without exposing the user to a fall hazard. Training should be repeated periodically.

- 1.4 RESCUE PLAN:** When in this equipment, a rescue team should be available. The user should have a rescue plan and the means to implement and communicate that plan to a rescue team. A trained, on-site rescue team is recommended. Team members should be provided with the equipment and techniques to perform a successful rescue. Training should be provided on a periodic basis to ensure rescuer proficiency.
- 1.5 INSPECTION FREQUENCY:** The Roof Top Counterweight Anchor System shall include the user's name on each component. Inspection procedures are described in Section 5 of this manual. Results of each Competent Person inspection should be recorded in the "Inspection and Maintenance Log" in this manual.
- 1.6 AFTER A FALL:** If the Roof Top Counterweight Anchor System is subjected to the forces of arresting a fall, it must be removed from the field of service immediately and replaced or inspected by an Authorized Capital Safety Representative.
- 1.7 LIMITATIONS:** The following limits apply to the installation and use of Roof Top Counterweight Anchor System. Other limitations may apply.
- A. HORIZONTAL LIFELINE:** The Roof Top Counterweight Anchor System is not rated for use as a horizontal lifeline.
 - B. SYSTEM CAPACITY:** The maximum capacity of the Roof Top Counterweight Anchor System is one person with a maximum combined weight including tools and clothing, of 310 lbs. (141 kg).
 - C. ROOF TYPES:** The Roof Top Counterweight Anchor System is intended for use on concrete, asphalt sanded, and asphalt stone chippings. If you want to use the system on any other type of roofing surface, contact DBI-SALA for further recommendations.
 - D. ROOF LOAD:** The roof must be able to support a static load of 720 lbs.
 - E. ROOF CONDITIONS:** The Roof Top Counterweight Anchor System must not be used in adverse weather conditions. The roof surface must be free of rot, no tan in water, grease or oil or any other deterioration or friction reducing materials.
 - F. PERSONAL FALL ARREST SYSTEM:** PFAS must be used with this roof anchor system to meet applicable state, federal and ANSI requirements. PFASs incorporating a full body harness must be capable of arresting a worker's fall with a maximum arresting force of no greater than 1,800 lbs. (8 kN) and limit the free fall distance to 6 ft. (1.8 m) or less. The deceleration distance for a PFAS must be 42 inches (1.1 m) or less (47 inches (1.2 m) in Canada). Reference ANSI Z359.1, OSHA and CSA Z259.11 requirements. The system must be rigged in a way that limits free fall to 6 ft. or less. Contact DBI-SALA if you have questions or concerns regarding free fall limits.
 - G. ENVIRONMENTAL HAZARDS:** Use of this equipment in areas where environmental hazards exist may require additional precautions be taken to reduce the possibility of injury to the user or damage to the equipment. Hazards may include, but are not limited to, high heat, extreme cold, caustic chemical corrosion, high voltage power lines, explosive or toxic gases, moving machinery, or sharp edges. Contact DBI-SALA if you have questions about using this equipment where environmental hazards exist.

-
- 1 Qualified Person:** A person with a recognized degree or professional certificate and with extensive knowledge, training, and experience in the fall protection and rescue field who is capable of designing, analyzing, evaluating, and specifying fall protections and rescue systems to the extent required by OSHA and other applicable standards.
- 2 Competent Person:** One who is capable of identifying existing and predictable hazards in the surroundings or working conditions which are unsanitary, hazardous, or dangerous to employees, and who has authorization to take prompt corrective measures to eliminate them.
- 3 Authorized Person:** For purposes of the Z359 standards, a person assigned by the employer to perform duties at a location where the person will be exposed to a fall hazard.
- 4 Rescuer:** Person or persons other than the rescue subject acting to perform an assisted rescue by operation of a rescue system.
- 5 Inspection Frequency:** Extreme working conditions (harsh environments, prolonged use, etc.) may require increasing the frequency of competent person inspections.

2.0 SYSTEM REQUIREMENTS

- 2.1 CONNECTOR COMPATIBILITY:** Connectors are considered to be compatible with connecting elements when they have been designed to either in a way that their design has or not cause their gate mechanism to inadvertently open regardless of how they become oriented. Contact Capital Safety if you have any questions about compatibility.

Connectors (hooks, carabiners, and D-rings) must be capable of supporting at least 5,000 lbs. (22.2 kN). Connectors must be compatible with the anchorage or other system components. Do not use equipment that is not compatible. Non-compatible connectors may unintentionally disengage (see Figure 2). If the connecting element to which a snap hook or carabiner is attached in an irregular manner has a situation occur where the connecting element is placed on the gate of the snap hook or carabiner (Figure 2, A). This force may cause the gate to open (Figure 2, B), allowing the snap hook or carabiner to disengage from the connecting point (Figure 2, C).

Self-locking snap hooks and carabiners are required by ANSI Z359, OSHA and CSA Z259.12 in Canada.

- 2.2 MAKING CONNECTIONS:** Snap hooks and carabiners used with this equipment must be self-locking. Ensure all connections are compatible in size, shape and strength. Do not use equipment that is not compatible. Ensure all connectors are fully closed and locked.

Capital Safety connectors (snap hooks and carabiners) are designed to be used only as specified in each product's user's instructions.

Examples of inappropriate connections are shown in Figure 3. Do not connect snap hooks and carabiners:

- A. To a D-ring to which another connector is attached.
- B. In a manner that would result in a load on the gate.

NOTE: Large throat snap hooks should not be connected to standard size D-rings or similar objects which will result in a load on the gate if the hook or D-ring twists or rotates, unless the snap hook complies is equipped with a 3,600 lb (16 kN) gate. Check the marking on your snap hook to verify that it is appropriate for your application.

- C. In a false engagement, where features that protrude from the snap hook or carabiner catch on the anchor, and without visual confirmation seems to be fully engaged to the anchor point.
- D. To each other.
- E. Directly to webbing or rope lanyard or tie-back (unless the manufacturer's instructions for both the lanyard and connector specifically allows such a connection).
- F. To an object which has or imminently has a sharp edge that the snap hook or carabiner will not close and lock or that roll-out could occur.
- G. In a manner that does not allow the connector to align properly while under load.

Figure 2 - Unintentional Disengagement

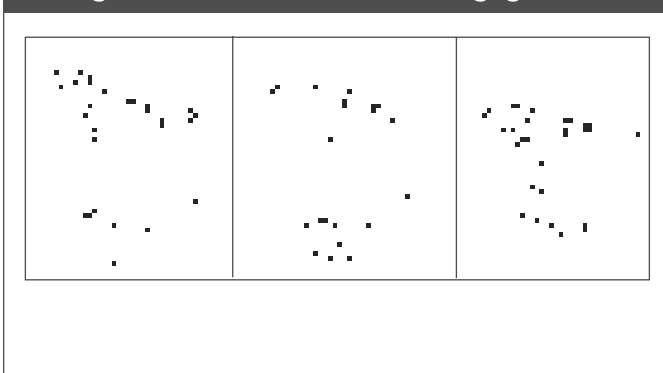
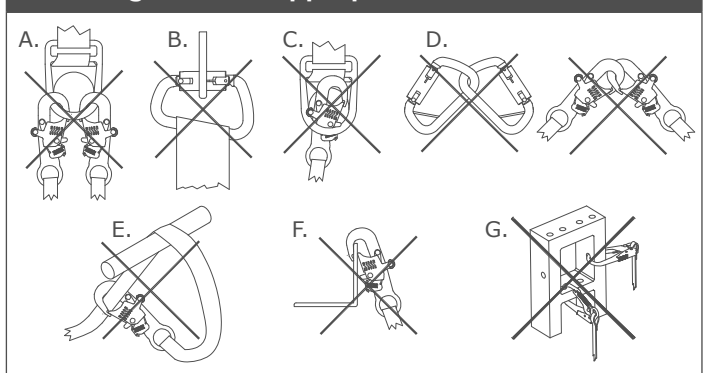


Figure 3 - Inappropriate Connections



- 2.3 STRUCTURE LOAD:** The structure supporting these anchorage points must be rigid, flat pitch, and capable of supporting at least 5,000 lbs. (22.2 kN) in the direction of potential fall arrest.

10 ASSEMBLY AND USE

WARNING: Do not alter or intentionally misuse this equipment. Consult with D I-SALA if using the Top Counterweight Anchor System in combination with components or subsystems other than those described in this manual. Some subsystems and components combinations may interfere with the proper operation of this equipment. Use caution when using this equipment around moving machinery, electrical and chemical hazards, and sharp edges.

WARNING: Working at height has inherent risks. Some risks are noted here but are not limited to the following falling, suspension prolonged suspension, striking objects, and unconsciousness. In the event of a fall arrest and or subsequent rescue (emergency) situation, some personal medical conditions may affect your safety. Medical conditions identified as risky for this type of activity include but are not limited to the following heart disease, high blood pressure, vertigo, epilepsy, drug or alcohol dependence, psychiatric illness, impaired limb function and balance issues. We recommend that your employer physician determine if you are fit to handle normal and emergency use of this equipment.

3.1 BEFORE EACH USE inspect this equipment according to the installation manual. Do not use the Top Counterweight Anchor System in any condition that does not meet the manufacturer's requirements. Plan for the fall protection system prior to erection or removal.

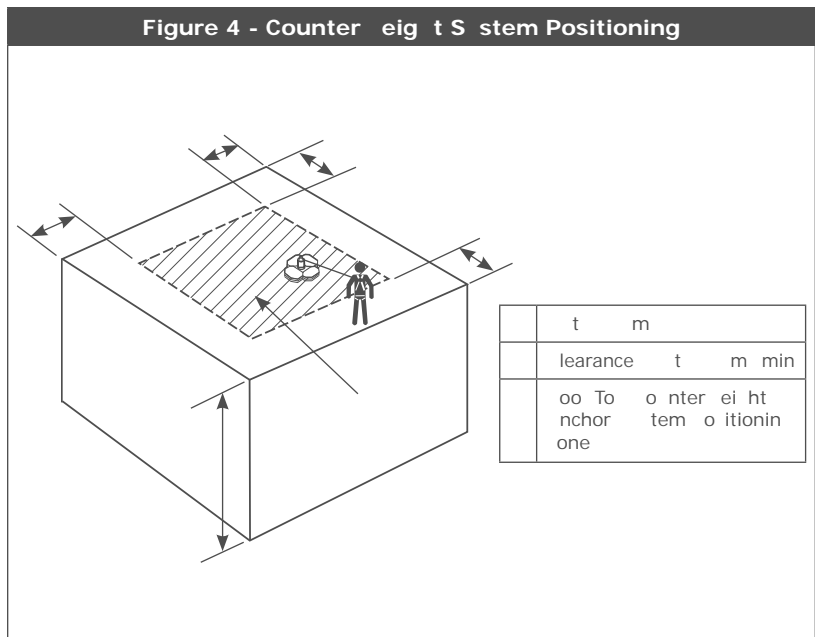
- A.** Do not use any component of the personal fall arrest system unless it is specifically designed for that purpose.
- B.** Do not use any component of the personal fall arrest system unless it is specifically designed for that purpose.

3.2 PLAN for fall arrest system before starting work. Take into consideration the location of the anchor point at all times.

- A. ANCHORAGE:** Select an anchor point that is independent of the structure being worked on.

B. OTHER CONSIDERATIONS:

- Place the Top Counterweight Anchor System at least 1.8m above the work area.
- Personal fall arrest systems must be used to limit the fall distance to a maximum of 0.6m.
- Avoid working above your anchorage level unless an increased fall distance is allowed.
- Avoid working where your line may cross or tangle with that of another worker or another object.
- Do not allow the lifeline to pass under any arm or equipment.
- Never clamp, knot or otherwise prevent the lifeline from retracting or extending.



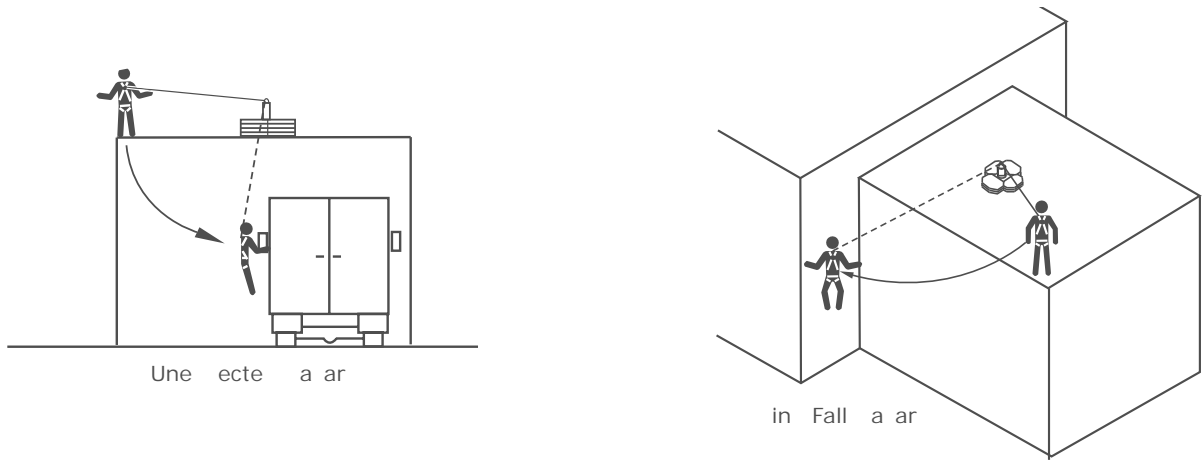
IMPORTANT: Do not lengthen the S L by connecting a lanyard or similar component without consulting D I-SALA.

C. TOTAL FALL DISTANCE: This is the total distance from the fall arrest point to the work area. It includes the distance from the anchor point to the worker, the distance from the worker to the work area, and the distance from the work area to the fall arrest point.

D. SWING FALLS: These occur when the anchor point is not directly above the worker. This can result in a swing fall, which is a fall where the worker is suspended from a point that is not directly above them.

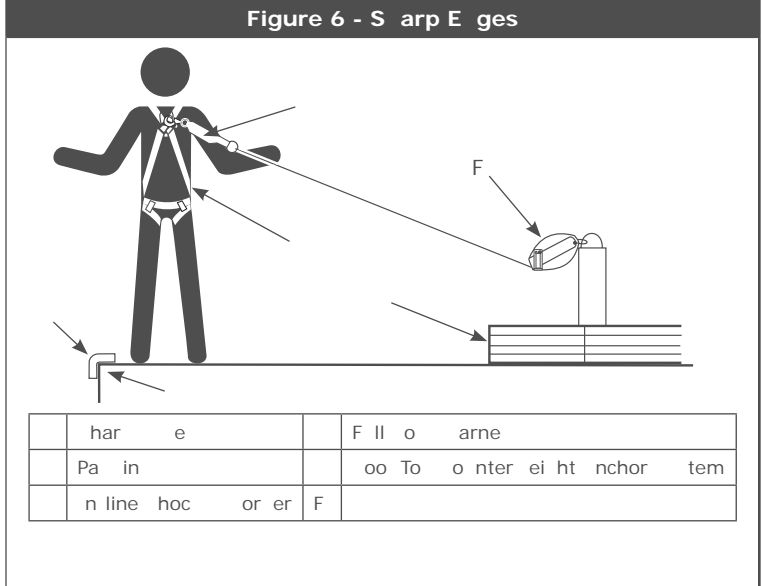
The manufacturer's instructions should be followed for the correct installation and use of the equipment. It is important to ensure that the equipment is used in accordance with the manufacturer's instructions.

Figure 5 - Slipping Falls



E. SHARP EDGES: Do not connect the lifeline to sharp edges or other protrusions that could damage the lifeline or the harness. Do not connect the lifeline to sharp edges or other protrusions that could damage the lifeline or the harness. Do not connect the lifeline to sharp edges or other protrusions that could damage the lifeline or the harness.

Figure 6 - Sharp Edges



WARNING: Read and follow the manufacturer's instructions for associated equipment i.e. S L, full body harness, lanyard, lifeline, etc. used in your personal fall arrest system.

- 3.3 SYSTEM ASSEMBLY:** Follow the assembly instructions for the Counterweight Anchor System. It must be flat and at least 18 inches from the edge of the structure or an opening. The surface must be clean and free of debris.
- Step 1.** Determine a suitable location for assembly of the Roof Top Counterweight Anchor System. It must be flat and at least 18 inches from the edge of the structure or an opening. The surface must be clean and free of debris.
 - Step 2.** Sweep the installation location to remove loose materials. Lay out four rubber coated base weights on the flat surface. The base weights should be placed in a square pattern with the U-bolts in the center of each weight.
 - Step 3.** Insert each base weight into the anchor system from the bottom of the anchor system through the hole in each base weight.

Figure 7 - Lay Out Base Weights and U-Bolts

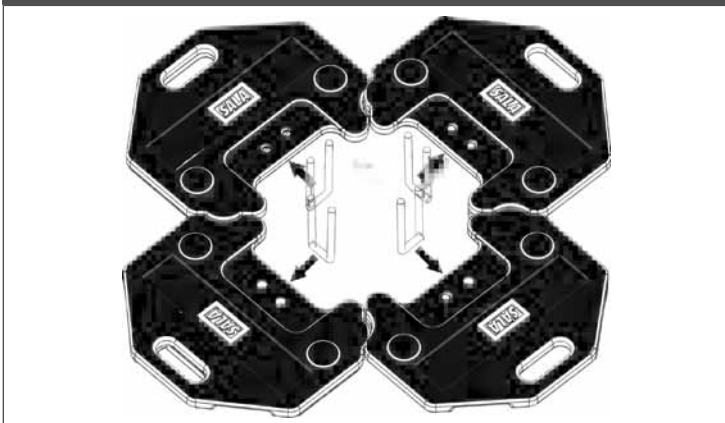
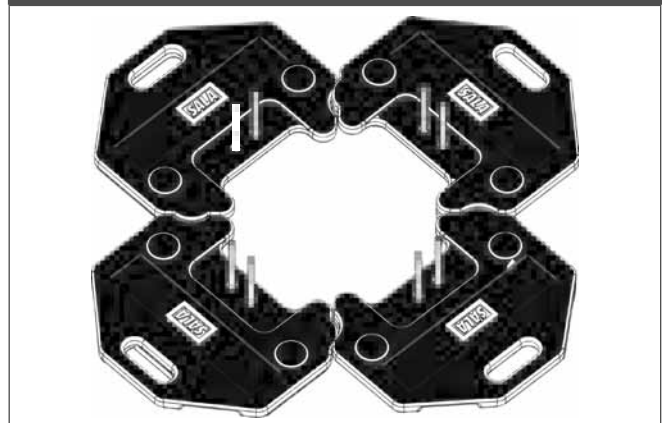


Figure 8 - Insert U-Bolts in Base Weights



Step 4. Insert U-bolt through each corner of the base plate. Base plate must lie flat on the base weights. (See Figure 9)

Step 5. Stack additional weight on each side of the weight with the U-bolt protruding through the matching hole in each weight. See Figure 10.

Figure 10 - Insert U-Bolts Through Base Plate



Figure 11 - Stack Additional Weights on Each Side of Base Weight



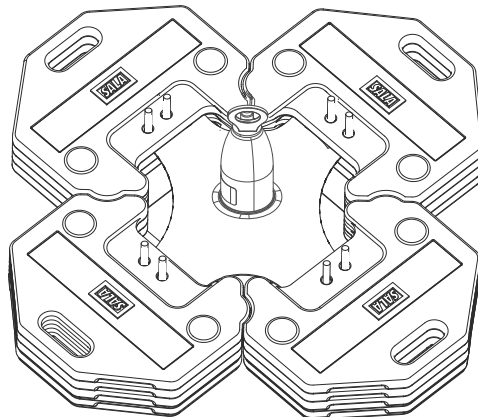
Step 6. Position the Rooftop Anchor on the U-bolt and height at a distance equal to the base plate that are required in the table for each U-bolt. Pass each U-bolt through one of the mounting holes in the Rooftop Anchor. See Figure 11.

Step 7. The additional load or height total of sixteen feet are seen in the Rooftop Anchor height chart. The maximum height of the weight stack will contain four feet. Add three additional feet in each direction. See Figure 12.

Figure 11 - Place Rooftop Anchor on U-Bolts



Figure 12 - Final Load Heights



Step 8. Position each of the lifting kit brackets at the end of the lifting kit trailer over the U-bolt as shown in Figure 13. Each bracket flange must be positioned over the edge of the weight below it. Install a washer and nut on each of the U-bolts. Tighten all height nuts to 100 ft-lb.

Step 9. Use a connector rated for a lifting capacity of 10,000 lbs or greater through the top of the trailer. Here the lifting kit trailer are one insert the connector in all of that trailer are on each side of the connector. See Figure 14. The Rooftop Anchor height chart is a minimum requirement for the lifting kit connection to a hoist. The maximum height of the lifting kit connection to a hoist is 16 feet. See Figure 15.

Figure 13 - Place Lifting Kit Brackets on U-Bolts



Figure 14 - Ready to Transport

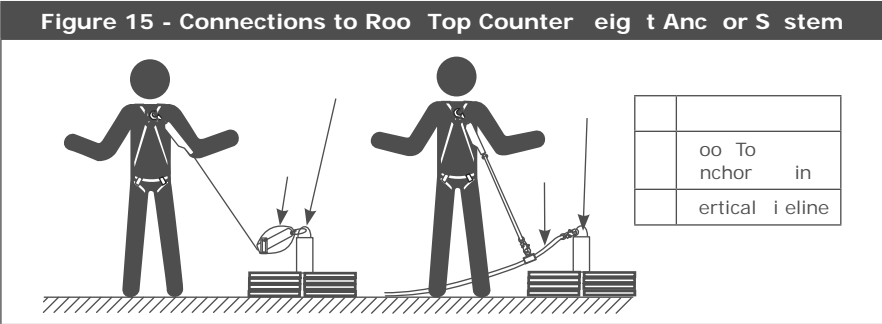


3.4 BODY SUPPORT: When in the open-toe configuration, it is recommended that all overhead anchor points be connected to the main horizontal lifeline or vertical lifeline.

IMPORTANT: Body belts are not allowed for free fall situations. Body belts increase the risk of injury during fall arrest in comparison to a full body harness. Limited suspension time and the potential for improperly wearing a body belt may result in added danger to the user's health.

3.5 CONNECTING TO THE ROOF TOP ANCHOR: For vertical lifeline connection, the lifeline must be attached to the main horizontal lifeline or vertical lifeline on the roof. All connections are compatible in the horizontal direction. Do not connect more than one personal protective equipment to an overhead anchor.

SRL: Connection to the vertical lifeline must be made at the location of the main horizontal lifeline or vertical lifeline attachment point. The overhead anchor must be connected to the main horizontal lifeline or vertical lifeline in an overhead position.



ENERGY ABSORBING LANYARDS OR LIFELINE: Connect the energy absorber in the lanyard to the main horizontal lifeline or vertical lifeline.

3.6 NORMAL OPERATION: Once attached, the worker is free to move about within the recommended work area.

SRL: Horizontal lifelines are used in areas where it is not practical to install a vertical lifeline. The energy absorber must be located to the left of the worker.

ENERGY ABSORBING LANYARD: A fall arrest lanyard must be attached to the main horizontal lifeline or vertical lifeline.

IMPORTANT: If the Roof Top Counterweight Anchor System is subjected to the forces of arresting a fall, it must be removed from the field of service immediately and replaced or inspected by an Authorized Capital Safety Representative. See Section 5.

5.0 INSPECTION

5.1 BEFORE EACH ANCHOR SYSTEM INSTALLATION OR WHEN REPOSITIONING THE ANCHOR SYSTEM: Inspect the overhead anchor system and other components according to the manufacturer's instructions. All components must be formally inspected by a Qualified Person (other than the user) at least annually. Formal inspections should concentrate on visible deterioration or damage to the components. Items to be inspected include: condition of the anchor system, condition of the lifeline, condition of the lanyard, condition of the energy absorber, and condition of the personal protective equipment.

5.2 INSPECTION STEPS:

- Step 1.** Check the overhead anchor system for damage or deterioration. Check the anchor system for damage or deterioration of the roof coating. The coating should be checked to make sure it is not peeling or cracking.
- Step 2.** Inspect the anchor point and anchor hardware. Look for cracks or deformation in the metal. The anchor hardware should be checked to make sure it is not loose or damaged.
- Step 3.** Inspect the overhead anchor system for corrosion.
- Step 4.** Insure that the U-bolts are in good condition and tight.
- Step 4.** Inspect the lifeline for damage or deterioration.
- Step 5.** Insure the condition of the roof. Report the overhead anchor system location to the inspector.

5.3 Inspection records and a record of inspection should be maintained for each anchor system or lifeline.

5.4 USER EQUIPMENT: Inspect each component of the harness, lanyard, lifeline, etc. before use. Refer to the manufacturer's instructions for more information.

5.0 MAINTENANCE SERVICE STORAGE

6.1 The overhead anchor system and lifeline components require no maintenance other than repair or replacement of items on inspection. Components should be cleaned with soap and water. Do not use caustic chemicals that could damage the components.

10 SPECIFICATIONS

7.1 MATERIALS:

- Base eig t: er coate ca t iron
- Counter eig ts: al ani e ca t iron
- U- olts: al ani e teel
- Li ting Kit Strap e ing: Pol e ter
- Li ting Kit Strap Brac ets: inc late teel



7.2 EIGHT:

- Eac Counter eig t: l
- Li ting Kit: l

10 LABELING

11 The e la el m t e re ent an ll le i le

On t e Roo Top Anc or ee Fi re item or la el location

 <p>www.capitalsafety.com</p> <p>CE0086 EN 795:1996 Class E</p>  <p>950993 Rev. A</p>	<p>WARNING AVERTISSEMENT WARNING ADVERTENCIA</p> <p>Manufacturers instructions must be read and understood prior to use. Instructions supplied with this product at time of shipment must be followed for proper use, maintenance, and inspection. Alteration or misuse of this product, or failure to follow instructions may result in serious injury or death. Make only compatible connections. Do not remove this label.</p> <p>Les instructions du fabricant doivent être lues et comprises avant toute utilisation du dispositif. Les instructions ou libérant fournies lors de l'achat du dispositif doivent être respectées afin de garantir une utilisation, un entretien et une inspection appropriés. Toute modification ou utilisation non conforme de ce produit, et/ou que l'observateur des instructions. En conséquence, peuvent entraîner des blessures graves ou la mort. Réaliser uniquement des raccordements compatibles. Ne pas enlever cette étiquette.</p> <p>Oben lesen und verstehen die Anweisungen des Herstellers, bevor Sie das Produkt verwenden. Die Anweisungen zum Einrichten des Produkts sind im Lieferumfang des Produkts enthalten. Änderungen oder Missbrauch dieses Produkts oder die Nichtbeachtung der Anweisungen können zu schweren Verletzungen oder zum Tod führen. Verhindern Sie nur komplette Verbindungsanschlüsse. Dieses Etikett nicht entfernen.</p>	<p>SPECIFICATIONS: Capacity: 1 Person, 330 lbs (141 kg) max. Material: Galvanized steel galvanized cast iron and PVC coated cast iron. Mount height: 4.5 m (14.8 ft) from any level edge, wall, surface, etc. Maximal ground clearance: 17 ft (5.2 m)</p> <p>CHARACTÉRISTIQUES TECHNIQUES: Capacité: 1 personne, 141 kg (310 lb) maximum. Matériau: Côté galvanisé. Fonte galvanisée et fer de fonte enduit de PVC. Dû à une base à une hauteur minimum de 2,5 m (8 pi) de tous les points de tout type de bord et de surface, mur, etc. Éclairage au sol nécessaire: 5,2 m (17 pi)</p> <p>ESPECIFICACIONES: Capacidad: 1 persona, 141 kg (310 lb) máx. Materiales: Acero galvanizado. Hierro galvanizado y hierro recubierto con PVC. Se debe instalar a un mínimo de 2,5 m (8 pies 2 pul) de cualquier borde de techo, superficie, etc. Iluminación mínima necesaria: 5,2 m (17 pies)</p> <p>SPEZIFIKATIONEN: Tragfähigkeit: 1 Person, max. 141 kg (310 lb). Material: Galvanisiertes Stahl, galvanisiertes Gusseisen und Gusseisen mit PVC beschichtet. Die Installation muss mit einem Mindestabstand von 2,5 m (8 ft 2 in) von Dachkante, Grundfläche, etc. erfolgen. Erforderliche Bodenfreiheit: 5,2 m (17 ft)</p>	<p>INSPECTION: Must inspect anchor before each use. At least monthly, anchor should be inspected by a competent person in accordance with the User Manual. Do not use if inspection reveals an unsafe or defective condition. NE user responsible.</p> <p>INSPECTION: Inspecter l'ancrage avant chaque utilisation. L'ancrage doit être inspecté par une personne qualifiée au minimum une fois par mois conformément au manuel de l'utilisateur. Ne pas utiliser si l'inspection révèle un état d'urgence ou défectueux. NE responsable user l'utilisateur.</p> <p>INSPECCIÓN: Se debe inspeccionar el anclaje antes de cada uso. Al menos una vez al mes una persona competente deberá inspeccionar el anclaje de acuerdo con el manual de usuario. No utilizar si la inspección revela que no es seguro o está defectuosa. El usuario no puede repararlo.</p> <p>PRÜFUNG: Das Anker muss vor jedem Gebrauch überprüft werden. Das Anker sollte mindestens einmal im Monat durch eine fachkundige Person gemäß der Bedienungsanleitung überprüft werden. Nicht verwenden, wenn bei der Überprüfung Unregelmäßigkeiten oder Defekte festgestellt wurden. darf nicht vom Anwender repariert werden.</p>	<p>USE: See User Manual for details on making connections. Anchor must be used with an energy absorber. The anchor has been tested and approved for use on concrete, asphalt and on reinforced-embed profiles. Refer to User Manual for additional information. NE user responsible.</p> <p>UTILISATION: Se reporter au manuel de l'utilisateur pour plus de détails sur le montage des raccordements. L'ancrage doit être utilisé avec un absorbeur d'énergie. L'ancrage a été approuvé pour une utilisation sur du béton, des profils encastrés asphalte et sur du gravier et des pierres. Se reporter au manuel de l'utilisateur pour plus d'informations. NE responsable user l'utilisateur.</p> <p>USO: Consulte en el manual del usuario la información relativa a la marcación de conexiones. El anclaje se debe utilizar sólo con un absorbidor de energía. El anclaje se ha probado y aprobado para su uso en hormigón, gravilla encastrada con asfalto y gravilla a base de piedra arenosa. Consulte el manual del usuario para obtener más información.</p> <p>VERWENDUNG: Details zur Hermitzung von Verbindungen finden Sie im Benutzeranbuch. Das Anker muss regelmäßig mit einem Fachkundigen Person gemäß der Bedienungsanleitung überprüft werden. Nicht verwenden, wenn bei der Sicht zugesehen. Im Benutzeranbuch finden Sie weitere Informationen.</p>
	<p>MFRD (FRAND) LOT: MFRD (ANAME) LOT: MFRD (ANAMES) LOT: HERSTELLUNGSDATUM (JAHR/MONAT) LOT:</p>		<p>MODEL NO: MODELE N°: N° DE MODELO: MODELLN°:</p>	

On t e Li ting Kit la el e n into one o the i tin it lin tra

<p>9509857 Rev. B</p>	<p>WARNING MANUFACTURER'S INSTRUCTIONS MUST BE READ AND UNDERSTOOD PRIOR TO USE. INSTRUCTIONS SUPPLIED WITH THIS PRODUCT AT TIME OF SHIPMENT MUST BE FOLLOWED. FAILURE TO DO SO COULD RESULT IN SERIOUS INJURY OR DEATH. CONTACT DBI-SALA IF INSTRUCTION SHEET IS NEEDED. INSPECT BEFORE EACH USE. DO NOT USE IF WEAR OR DAMAGE IS PRESENT. THIS LIFTING SLING IS INTENDED TO BE USED FOR ANCHOR POSITIONING ONLY AND IS NOT TO BE LEFT PERMANENTLY ATTACHED TO THE ASSEMBLED BASE. WHEN NOT IN USE THIS SLING SHOULD BE REMOVED AND STORED INDOORS. REPAIRS ONLY TO BE PERFORMED BY DBI-SALA. EQUIPMENT MODIFICATION OR MISUSE VOIDS WARRANTY.</p>	<p> 5901478 LIFTING SLING POLYESTER WEB</p> <p>www.capitalsafety.com Capital Safety Red Wing, MN, USA +1-800-328-6146</p> <p>DO NOT REMOVE LABEL</p>	<p>WARNING</p> <p>THIS LIFTING SLING IS NOT A GENERAL PURPOSE LIFTING SLING. IT IS ONLY TO BE USED WITH THE 2100180 OR 2100185 COUNTERWEIGHT ANCHOR SYSTEM. CONTACT DBI-SALA FOR MORE INFORMATION.</p>
		<p>MFG DATE (yr/mo) LOT NO.</p>	

LIMITED LIFETIME WARRANTY

Warranty to End User: In the event of a PT FT U PT FT warranty to the original end user that its products are free from defect in material and workmanship under normal use and service. This warranty extends for the lifetime of the product from the date the product is purchased by the end user in the applicable conditions from a PT FT authorized distributor. PT FT's entire liability to an end user and end user's exclusive remedy under this warranty is limited to the repair or replacement in kind of any defective product within its lifetime at a PT FT in its sole discretion. Terms and conditions apply. See a representative or oral or written information or advice in a PT SAFETY, its distributors, directors, officers, agents or employees shall create any different or additional warranty or in any way increase the coverage of this warranty. PT FT will not accept liability or effect that are the result of product abuse, misuse, alteration or modification, or for defects that are due to a failure to install, maintain or use the product in accordance with the manufacturer's instructions.

PT FT T PP T T U T T T T T
 PP T U P U T U F T T T P
 P PT FT P U P T F
 T T FT F P T U P U P T F T
 PU T U T F T U T UT TT TP FT
 U P U T T F U T T T P P T U
 T F T U T UT TT T T T T T T
 U T UT TT T



The Ultimate in Fall Protection

CSG USA Latin America
 a
 e in
 Toll Free
 Phone
 Fa
 ol tion ca ital a et com

CSG Canada
 ort o le ar
 i i a a
 Phone
 Toll Free
 Fa
 in o ca ca ital a et com

CSG Northern Europe
 a e e oa
 orth oon oat
 e itch orce ter hire U
 Phone
 Fa
 c ne ca ital a et com

CSG EMEA Europe Middle East Africa
 e roc enter
 re en e
 P
 arro
 e roc e e
 France
 Phone
 Fa
 in ormation ca ital a et com

CSG Australia New Zealand
 er treet
 il er ater
 ne
 U T
 Phone
 Toll Free U
 Toll Free
 Fa
 ale ca ital a et com a

CSG Asia
 Singapore
 nter ri e oa
 in a ore
 Phone
 Fa
 in ir ca ital a et com
 Shanghai
 m hina ent retech Pla a
 an in i
 han hai P hina
 Phone
 Fa

[.capitalsaet.com](http://www.capitalsaet.com)

