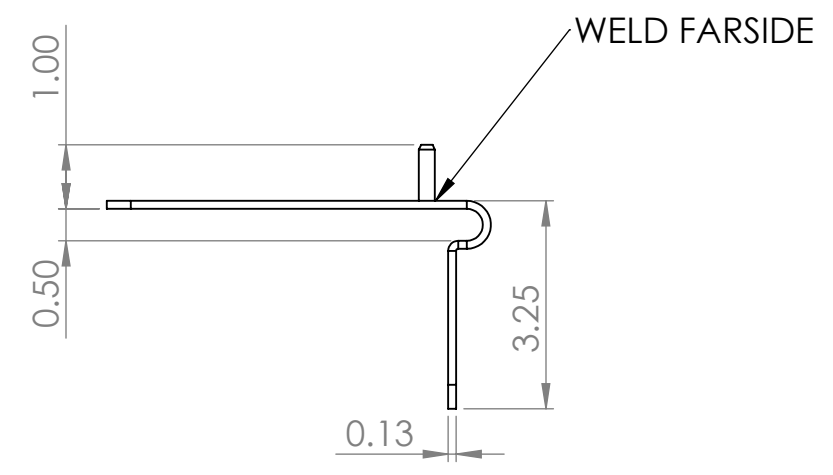
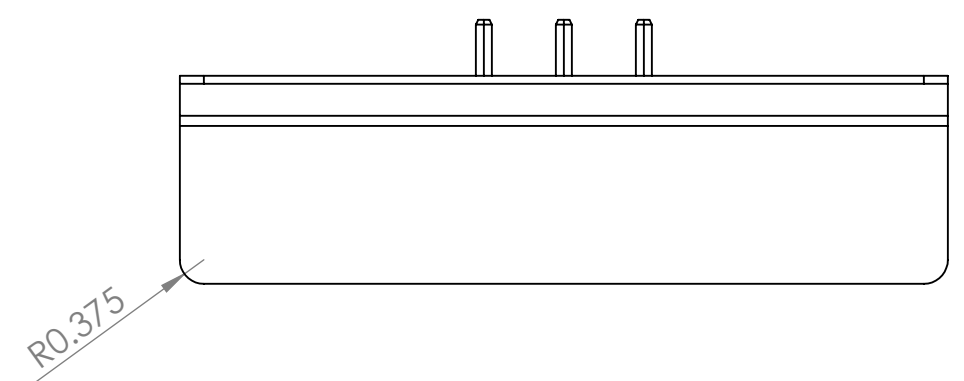
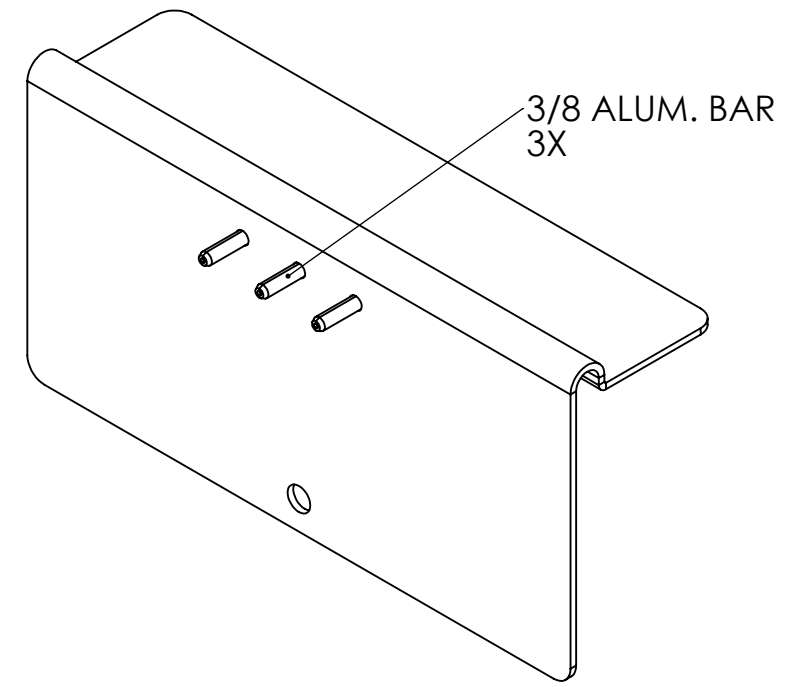
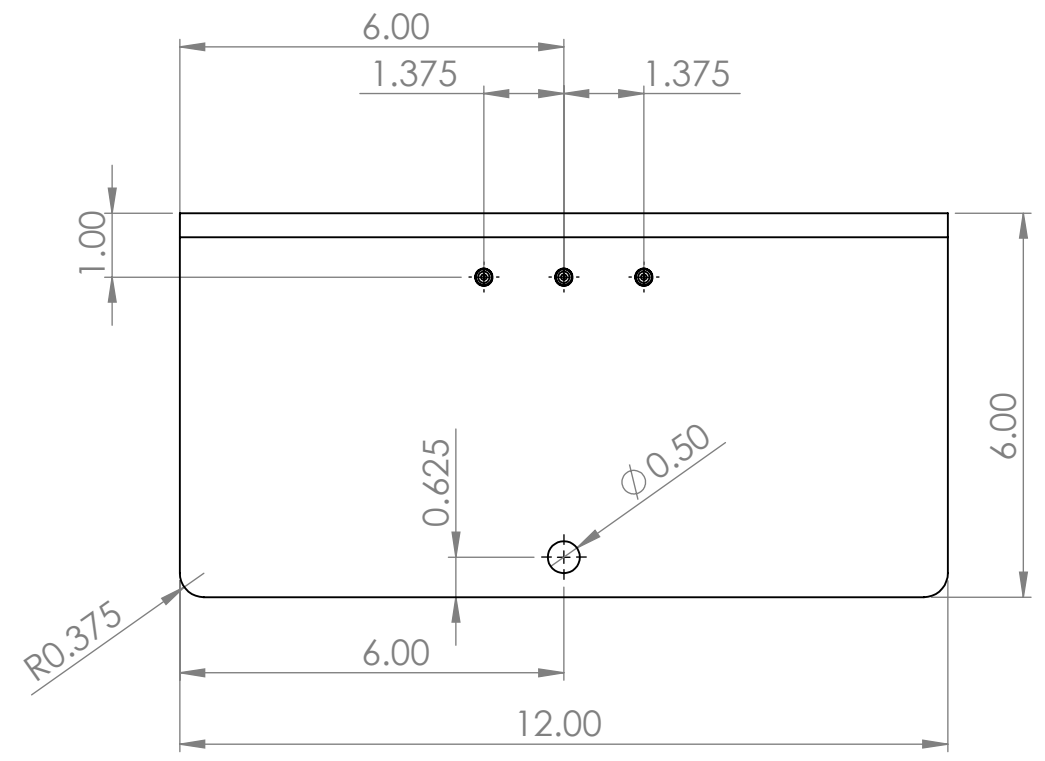


4

3

2

1



PROPRIETARY AND CONFIDENTIAL
THE INFORMATION CONTAINED IN THIS DRAWING IS THE SOLE PROPERTY OF J.Racenstein CO, LLC. ANY REPRODUCTION IN PART OR AS A WHOLE WITHOUT THE WRITTEN PERMISSION OF <INSERT COMPANY NAME HERE> IS PROHIBITED.

		UNLESS OTHERWISE SPECIFIED:		NAME	DATE	R&D METAL FABRICATORS,INC.	
		DIMENSIONS ARE IN INCHES		DRAWN		TITLE:	
		TOLERANCES:		CHECKED		EDGE PROTECTOR	
		FRACTIONAL ±		ENG APPR.		SIZE DWG. NO. REV	
		ANGULAR: MACH ± BEND ±		MFG APPR.		B 98-122-A A	
		TWO PLACE DECIMAL ±		Q.A.		SCALE: 1:2 WEIGHT: SHEET 1 OF 1	
		THREE PLACE DECIMAL ±		COMMENTS:			
		INTERPRET GEOMETRIC TOLERANCING PER:					
		MATERIAL					
		.125 5052					
NEXT ASSY		USED ON					
		FINISH					
		TUMBLE					
APPLICATION		DO NOT SCALE DRAWING					

4

3

2

1

B

B

A

A